

REV.
A

AS4472

FEDERAL SUPPLY CLASS
4720

RATIONALE

THIS DOCUMENT HAS BEEN REAFFIRMED TO COMPLY WITH THE SAE 5-YEAR REVIEW POLICY.

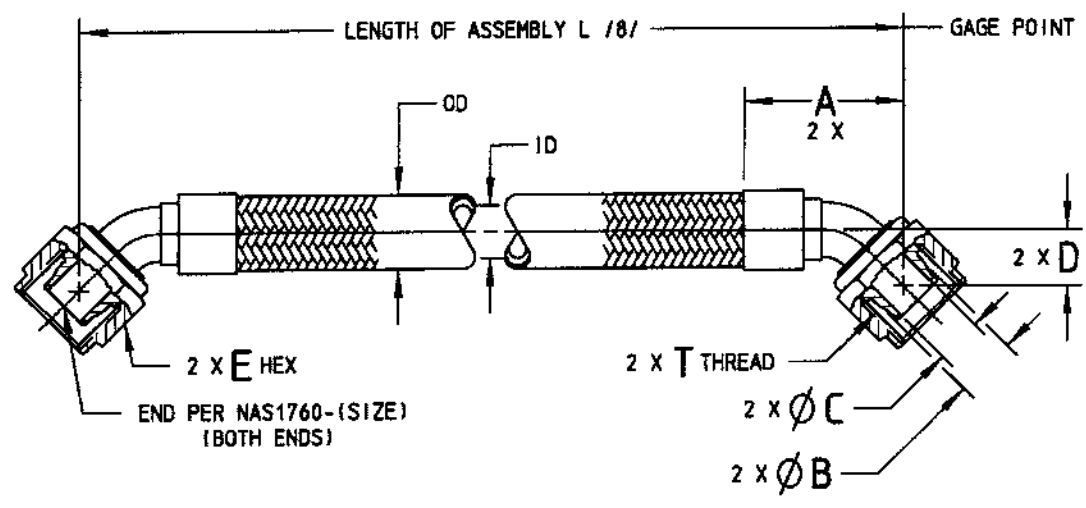


FIGURE 1 - HOSE ASSEMBLY

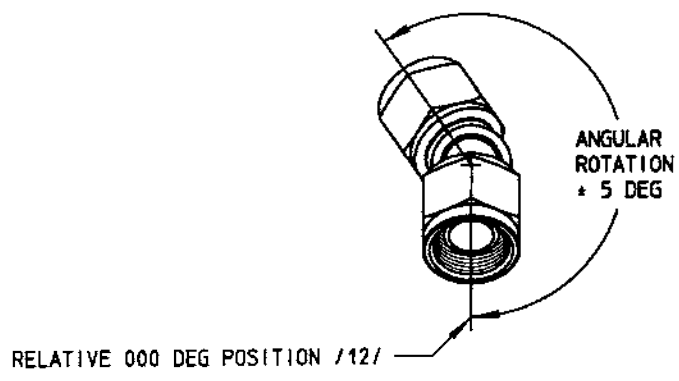
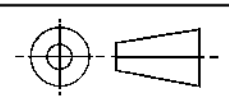


FIGURE 2 - FITTING ANGULAR ORIENTATION

THIRD ANGLE PROJECTION



CUSTODIAN: SAE G-3/G-3D

PROCUREMENT SPECIFICATION: AS4468 /2/

SAE Aerospace
An SAE International Group

AEROSPACE STANDARD
(R) HOSE ASSEMBLY, LINED SILICONE,
125 PSI, FLARELESS, POTABLE WATER,
45° TO 45°

AS4472
SHEET 1 OF 3

**REV.
A**

SAE Technical Standards Board Rules provide that: "This report is published by SAE to advance the state of technical and engineering sciences. The use of this report is entirely voluntary, and its applicability and suitability for any particular use, including any patent infringement arising therefrom, is the sole responsibility of the user." SAE reviews each technical report at least every five years at which time it may be reaffirmed, revised, or cancelled. SAE invites your written comments and suggestions.

Copyright 2007 SAE International
All rights reserved. No part of this publication may be reproduced, stored in a retrieval system or transmitted, in any form or by any means, electronic, mechanical, photocopying, recording, or otherwise, without the prior written permission of SAE.

ISSUED 1992-05 REVISED 2001-08 REAFFIRMED 2007-01

REV.
A

AS4472

TABLE 1 – HOSE ASSEMBLY DIMENSIONS

BASIC NO. AND SIZE CODE	HOSE SIZE (REF)	THREAD T PER AS8879 (REF)	E HEX ACROSS FLATS (REF)	ID (REF)	OD MIN	OD MAX
AS4472E	.250	.4375-20UNJF-3B	.56	.250	.37	.48
AS4472G	.375	.5625-18UNJF-3B	.69	.375	.53	.59
AS4472H	.500	.7500-16UNJF-3B	.88	.500	.65	.73
AS4472J	.625	.8750-14UNJF-3B	1.00	.625	.81	.85
AS4472K	.750	1.0625-12UNJ-3B	1.25	.750	.94	.98
AS4472M	1.000	1.3125-12UNJ-3B	1.50	1.000	1.19	1.23

TABLE 2 – END FITTING DIMENSIONS

BASIC NO. AND SIZE CODE	A MAX	B GAGE	C MIN THRU	D MIN	D MAX
AS4472E	1.44	.2930	.174	.35	.44
AS4472G	1.56	.4120	.291	.43	.57
AS4472H	1.64	.5600	.409	.50	.61
AS4472J	1.83	.6730	.495	.59	.71
AS4472K	2.19	.8100	.646	.62	.77
AS4472M	2.42	1.0620	.898	.74	.85

TABLE 3 – LENGH TOLERANCE

HOSE ASSEMBLY LENGTH	PREFERRED INCREMENTS	TOLERANCE
UNDER 18 in	(NOT LESS THAN) .125	+ .125/- .125
18 TO 36 in EXCLUSIVE	(NOT LESS THAN) .250	+ .250/- .250
36 TO 100 in EXCLUSIVE	(NOT LESS THAN) .500	+ .375/- .375
100 in AND OVER	(NOT LESS THAN) 1.000	+ .5%/- .500

TABLE 4 - HOSE ASSEMBLY WEIGHT INFORMATION

HOSE SIZE CODE	HOSE lb/in NOM (REF)	END FITTING lb/EA NOM (REF)	HOSE LENGTH CORRECTION FACTOR, in /9/
E	.0038	.049	.79
G	.0064	.075	.91
H	.0081	.120	.99
J	.0111	.167	1.18
K	.0137	.281	1.39
M	.0182	.399	1.60

SAE Aerospace
An SAE International Group

(R)

AEROSPACE STANDARD

HOSE ASSEMBLY, LINED SILICONE,
125 PSI, FLARELESS, POTABLE WATER,
45° TO 45°

AS4472
SHEET 2 OF 3

REV.
A